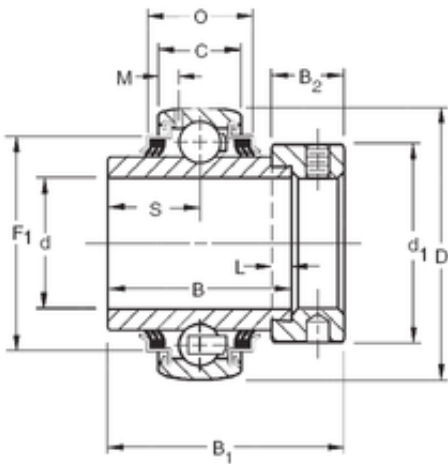




Machinery Parts Bearing Co., Ltd.

36,5125 mm x 72 mm x 37,7 mm TIMKEN G1107KPPB2 Insert Bearings Spherical OD



Bearing No. G1107KPPB2

Size	36.5125x72x37.7 mm
Bore Diameter	36,5125 mm
Outer Diameter	72 mm
Width	37,7 mm
d	36,5125 mm
D	72 mm
B	37,7 mm
C	19 mm
O	25,4 mm
d1	54 mm
B1	51,2 mm
B2	17,1 mm
L	3,9 mm
M	3,68 mm
S	18,85 mm
F1	60,35 mm
Weight	0,544 Kg
Basic dynamic load rating (C)	28,5 kN

G1107KPPB2 Bearing 2D drawings and 3D CAD models