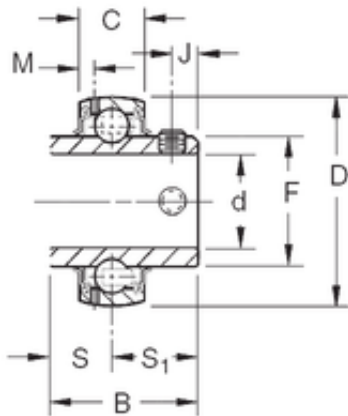




Machinery Parts Bearing Co., Ltd.

55,5625 mm x 110 mm x 65,07 mm TIMKEN GYM1203KRRB Insert Bearings Spherical OD



Bearing No. GYM1203KRRB

Size	55.5625x110x65.07 mm
Bore Diameter	55,5625 mm
Outer Diameter	110 mm
Width	65,07 mm
d	55,5625 mm
D	110 mm
B	65,07 mm
C	27 mm
S1	39,67 mm
F	76,48 mm
J	10 mm
M	5,13 mm
S	25,4 mm
Thread (G)	M10x1,5
Weight	2,225 Kg
Basic dynamic load rating (C)	58,8 kN

GYM1203KRRB Bearing 2D drawings and 3D CAD models